

Meeting Your Needs in Every Weigh



Sartorius ultra-micro and
microbalances

**Maximum precision
for minimum sample
quantities**

Sartorius SE2 and ME5 Premium Micro, Ultra-Micro Series

The first choice for measuring the smallest sample quantities anywhere

Sartorius brings uncompromising quality in weighing technology to its new generation of microbalances. These instruments combine fast response times with high repeatability when weighing the smallest of samples. Sartorius micros deliver results that meet the requirements of quality management systems everywhere.

Ultra-fast response times

With a stabilization time of only 10 seconds, combined with resolution over the entire weighing ranges, (from 0.1 µg to 2.1 g in the SE2 and 1 µg to 5.1 g in the ME5), we are the standard to be measured by in microbalances.

“Intelligent” draft shield with easy clean-up

With the “intelligent learning function”, the motorized draft shield can be adapted to any work routine at the press of a key. It works when you want it to and not the other way around! A

special conductive coating on the glass prevents the build-up of static electricity. All draft shield components can be removed from the balance for fast and easy cleaning.

Exceptional backlit display and automatic calibration

The high-contrast, backlit graphic display has large easy to read digits and can be viewed at any angle, even under low-light conditions.

The “isoCAL” function for fully automatic calibration and adjustment ensures consistently high accuracy and provides ISO/GLP-compliant user-definable documentation and calibration record memory.

The SQmin function can be used to monitor minimum initial sample weight in accordance with USP standards.

Application programs that do the job and more!

A total of 14 general and sophisticated application programs are integrated

into our premium SE & ME series microbalances.

In addition to the standard laboratory applications, other programs particularly important for microweighing include, air buoyancy correction for exact measurement, or for determining the diameter of microscopically fine wires.

A flexible differential weighing program (with up to 999 sample and batch IDs), plus a powerful statistics program offers reliable and fast evaluations. A comprehensive software package also includes programs such as calculation of weights by a factor and time-controlled functions.

Weighing a variety of filter sizes is a snap

The SE2-F and ME5-F are specially designed for highly accurate weighing of filters with sizes up to 90 mm. Both models are equipped with special low-profile stainless steel draft shields that



Sartorius Micro, Ultra-Micro Series

keep the effects of static electricity to a minimum when weighing filters. To ensure fast and user-friendly operation, the draft shield has a cover that easily rotates open manually and is conveniently adaptable for both left- and right-handed users. A choice of weighing pan diameters (50 mm standard; 75 mm or 90 mm optional) enable flexible adaptation of the SE2-F and ME5-F to a variety of filter sizes.

RS232 for maximum connectivity

All micro- and ultra-microbalances come with both an RS-232C communication port and an additional printer port. This enables the user to record data to a computer or to automate the unit in a robotically controlled system.

More ways to fall in love with the Sartorius micros

Our premium series microbalances uti-

lize a built-in motorized calibration weight. This means calibration and adjustment can be performed automatically at the press of a key ensuring that the balance always operates with the highest possible accuracy.

High-grade, polished metal surfaces inside the weighing chamber and the stainless steel work area facilitate easy access and cleaning.

Extreme accuracy, easy to use and clean, versatile, cost efficient, RS232 connectivity and more, what else can we say... when it comes to microbalances, choose the best, choose Sartorius.

New, CP micros offering superb accuracy at a very nice price

Our new CP microbalances are designed for users who do not process a high volume of samples or occasionally work with quantities that must be analyzed with microgram accuracy.

The CP2P is the first microbalance that is equipped with a monolithic weighing cell, delivering a fast response and higher accuracy with less susceptibility to temperature drifts.

The CP2P-F can be used to weigh filters up to 120 mm in diameter.

The PolyRange models provide weighing capacities of 0.5/1/2 g with readabilities of 1/2/5 μg . In addition, the finest range can be shifted, which means the best resolution can be used even with heavy tare containers.



Sartorius Micro, Ultra-Micro Series

Model	SE2	ME5	MC21S	CP2P	SE2-F Filter Weighing	ME5-F Filter Weighing	CP2P-F Filter Weighing
Weighing range structure	SuperRange	SuperRange	SuperRange	PolyRange	SuperRange	SuperRange	PolyRange
Maximum weighing capacity	2.1 g	5.1g	21 g	0.5/1/2 g	2.1 g	5.1 g	0.5/1/2 g
Readability	0.1 μ g	1 μ g	1 μ g	1/2/5 μ g	0.1 μ g	1 μ g	1/2/5 μ g
Tare range (subtractive)	2.1 g	5.1 g	21 g	2 g	2.1 g	5.1 g	2 g
Repeatability Weighing ranges	$\pm 0.25 \mu$ g	$\pm 1 \mu$ g	$\pm 2 \mu$ g	$\pm 1/2/3/0.5/1/2$ g	$\pm 0.25^* \mu$ g	$\pm 1 \mu$ g**	$\pm 2/3/4/\mu$ g 0.5/1/2 g
Max linearity	$\pm 0.9 \mu$ g	$\pm 4 \mu$ g	15 μ g	$\pm 2/4/5 \mu$ g	$\pm 0.9^* \mu$ g	$\pm 4 \mu$ g**	$\pm 2/4/5 \mu$ g
Stabilization time (avg)	10 s	10 s	10 s	10 s	10 s	10 s	10 s
Adaptation to ambient conditions	By selection of 1 of 4 optimized filter levels (available on all models)						
Calibration weight	Built-in /isoCAL	Built-in /isoCAL	Built-in /isoCAL	Built-in	Built-in /isoCAL	Built-in /isoCAL	Built-in
Allowable ambient operating temp.	+5 to +40 °C	+5 to +40 °C	+5 to +40 °C	+5 to +40 °C	+5 to +40 °C	+5 to +40 °C	+5 to +40 °C
Pan size (dia.= \emptyset)	20 mm 0.78 in	30 mm 1.18 in	30 mm 1.18 in	20 mm 0.78 in	50 or 20 mm 1.96 or 0.78 in	50 or 20 mm 1.96 or 0.78 in	120 or 20 mm 4.7 or 0.78 in
					75 or 90 mm 2.95 or 3.54 in opt.	75 or 90 mm 2.95 or 3.54 in opt.	
Dimensions							
Weigh cell (WxDxH)	122x315.5x121.5 mm 4.8x12.4x4.7 in	122x315.5x121.5 mm 4.8x12.4x4.7 in	219x408x318 mm 8.6x16.0x12.5 in	213x342x151 mm 8.3x13.4x4.1 in	122x318x106 mm 4.8x12.5x4.1 in	122x318x106 mm 4.8x12.5x4.1 in	122x318x106 mm 4.8x12.5x4.1 in
Electronic unit (WxDxH)	254x320x106 mm 9.9x12.6x4.1 in	254x320x106 mm 9.9x12.6x4.1 in	213x306x106.5 mm 8.3x13.4x5.9 in	–	254x320x106 mm 9.9x12.6x4.1 in	254x320x106 mm 9.9x12.6x4.1 in	–
Weighing chamber (Dia.+H IW +D +H)	\emptyset 80 +H 77 mm 3.1x3.0 in	\emptyset 80 +H 77 mm 3.1x3.0 in	195x155x260 mm 7.6x6.1x10.2 in	54x49.5x55.5 mm 2.1x1.9x2.2 in	\emptyset 106x H40 4.1x1.5 in	\emptyset 106x H40 4.1x1.5 in	12 mm 0.47 in.
Net weight, approx.							
Weigh cell	3.3 kg / 7.2 lb	3.3 kg / 7.2 lb	11.1 kg / 24.4 lb	4.35 kg / 9.6 lb	4.2 kg / 9.2 lb	4.2 kg / 9.2 lb	5.0 kg / 11.0 lb
Electronic unit	3.5 kg / 7.7 lb	3.5 kg / 7.7 lb	3.1 kg / 6.8 lb	–	3.5 kg / 7.7 lb	3.5 kg / 7.7 lb	–
Data interface port(s)	RS-232C +printer	RS-232C +printer	RS-232C	RS-232C	RS-232C+printer	RS-232C+printer	RS-232C
Fax on Demand No.	10720	10722	10713	10715	10721	10723	10716

Fax on Demand Call 800-551-3774

Get the latest information on each model by using the access number listed above.

Advanced Features (SE & ME Models)

- SQmin. for minimum sample weight according to USP
- RS232 port(s) for data communication
- ISO/GLP compliant printouts
- S.U.R.E. function for uncertainty of measurement
- isoCAL fully automatic calibration/ adjustment function

Applications (SE & ME Models)

- Differential weighing
- Calculation of weight values
- Statistical evaluation
- Net-total formulation
- Air Buoyancy correction and air density determination
- Diameter determination
- Counting, weighing in percent, check weighing, averaging, formulation, and totalizing

Selected Accessories

- YDPO3-OCE Statistical Printer
- YSCO1L Foot switch for draft shield and print functions
- 72US1010.3 Software wedge data transfer program
- YIB01-OUR Ionizer Blower

Sartorius Corp.
131 Heartland Blvd.
Edgewood, NY 11717
800-635-2906
www.sartorius.com

Sartorius Inc.
2179 Dunwin Drive #4&5
Mississauga, Ontario
Canada L5L 1X2
800-668-4234



sartorius

Meeting Your Needs in Every Weigh

Sartorius Microbalance

Model ME5



Specifications

Readability	1.0 μg
Weighing capacity	5.1 g
Pan size	\varnothing 30 mm / 1.2 in.
Response time (avg.)	10 sec.
Display and control unit dimensions	(WxDxH): 254 x 320 x 106 mm.
Display unit:	9.9 x 12.6 x 4.1 in.
Weighing cell:	122 x 316 x 121 mm. 4.8 x 12.4 x 4.8 in.
Repeatability	$\leq \pm 1.0 \mu\text{g}$
Linearity	$\leq \pm 4.0 \mu\text{g}$

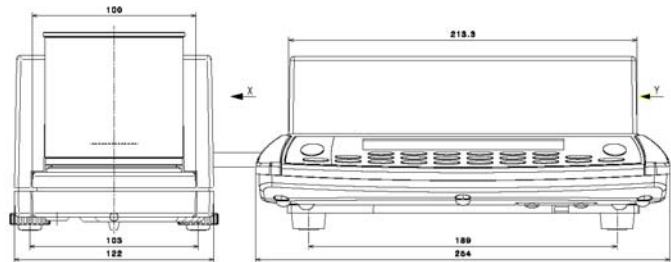
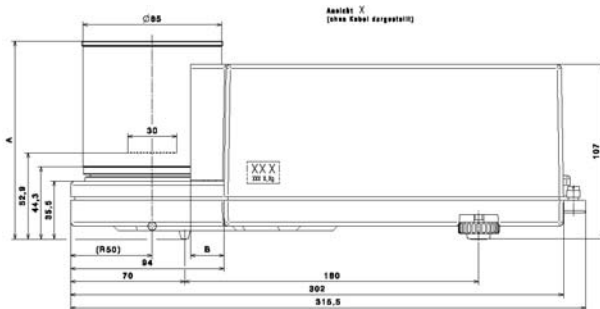
Standard Features:

- SQmin minimum sample weight function for compliance with United States Pharmacopeia.
- Comes with both a RS-232 port and an additional printer port.
- Fully automatic internal calibration and adjustment – our isoCAL feature ensures that the balance maintains the highest accuracy, even during fluctuations in ambient temperature.
- With the “intelligent learning function”, the motorized draft shield can be adapted to any work routine at the press of a key. A special conductive coating on the glass prevents the build-up of static electricity.
- Access from any direction due to the innovative design featuring rotational symmetry.
- The access angle can be defined by adjusting the angle of the draft shield opening by hand or by entering the angle using the numerical keys.
- The draft shield is easily and completely removable without tools to facilitate quick clean-ups or retrieval of dropped samples
- The display and keyboard area are entirely sealed, protecting them against ingress of dust and moisture
- Backlit, high-contrast display for bright and clear readouts under any lighting conditions
- ISO/GLP-compliant recording and printouts of all weighing data, including calibration and adjustment data
- Powerful, work saving application programs including: Backweighing for up to 50 samples, air buoyancy correction, air density measurement, diameter determination, tare memory, weighing in percent, over/under checkweighing, counting
- Mass unit conversion by toggling between any 2 weight units

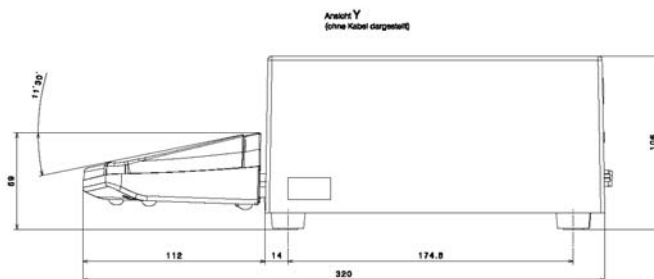
Sartorius Corporation
 131 Heartland Boulevard
 Edgewood New York 11717
 Toll Free: (800) 635-2906
 ☎ (631) 254-4249
 Fax (631) 254-4261

Sartorius Fax on Demand: (800) 551-3774	
This Document Number:	10722
Related Documents	#
Industrial Catalog	2000
Laboratory Catalog	1000
Calibration Catalog	80000

ME5



Typ	Mod A	Mod B
ME5 / ME5-OCE	121.3	20.5
BE2 / BE2-OCE	121.3	20.5
ME5-F	85.5	—
BE2-F	85.5	—



All above dimensions are in millimeters

More Performance Specifications for the ME5:

Temperature range	+5 ...+40°C (+41 ...+104°F)
Net weight of the weighing cell	3.3 kg (7.27lb)
Net weight of the display and control unit	3.1 kg (6.8 lb)
Shipping weight	12.2 kg (26.9 lb)

Key Accessories for the ME5:

Data Printer w/time, date and statistics	YDP03-OCE
SartoWedge data transfer software w/cable	72US1010.3
Ionizing blower - eliminates static charges from samples for more stable readings	YIB01-0UR
Foot switch with T-connector - open/close draft shield, print and tare	YPE01RC
Pipette calibration accessories	Part # and price upon request

Sartorius Corporation
131 Heartland Boulevard
Edgewood New York 11717
Toll Free: (800) 635-2906
☎ (631) 254-4249
Fax (631) 254-4261

Sartorius Fax on Demand: (800) 551-3774

This Document Number:	10722
Related Documents	#
Industrial Catalog	2000
Laboratory Catalog	1000
Calibration Catalog	80000

Sartorius Microbalance (Filter Version)

Model ME5-F



Specifications

Readability	1.0 µg
Weighing capacity	5.1 g
Pan size	Ø 50 or 30 mm 1.9 in. / 1.2 in. Ø 75 or 90 mm (Optional) 2.9 in. / 3.5 in. (Optional)
Response time (avg.)	10 sec.
Display and control unit dimensions	(W x D x H): 254 x 320 x 106 mm 9.9 x 12.6 x 4.1 in.
Display unit:	122 x 316 x 121 mm 4.8 x 12.4 x 4.8 in.
Weighing cell:	
Repeatability	≤± 1.0 µg
Linearity	≤± 4.0 µg

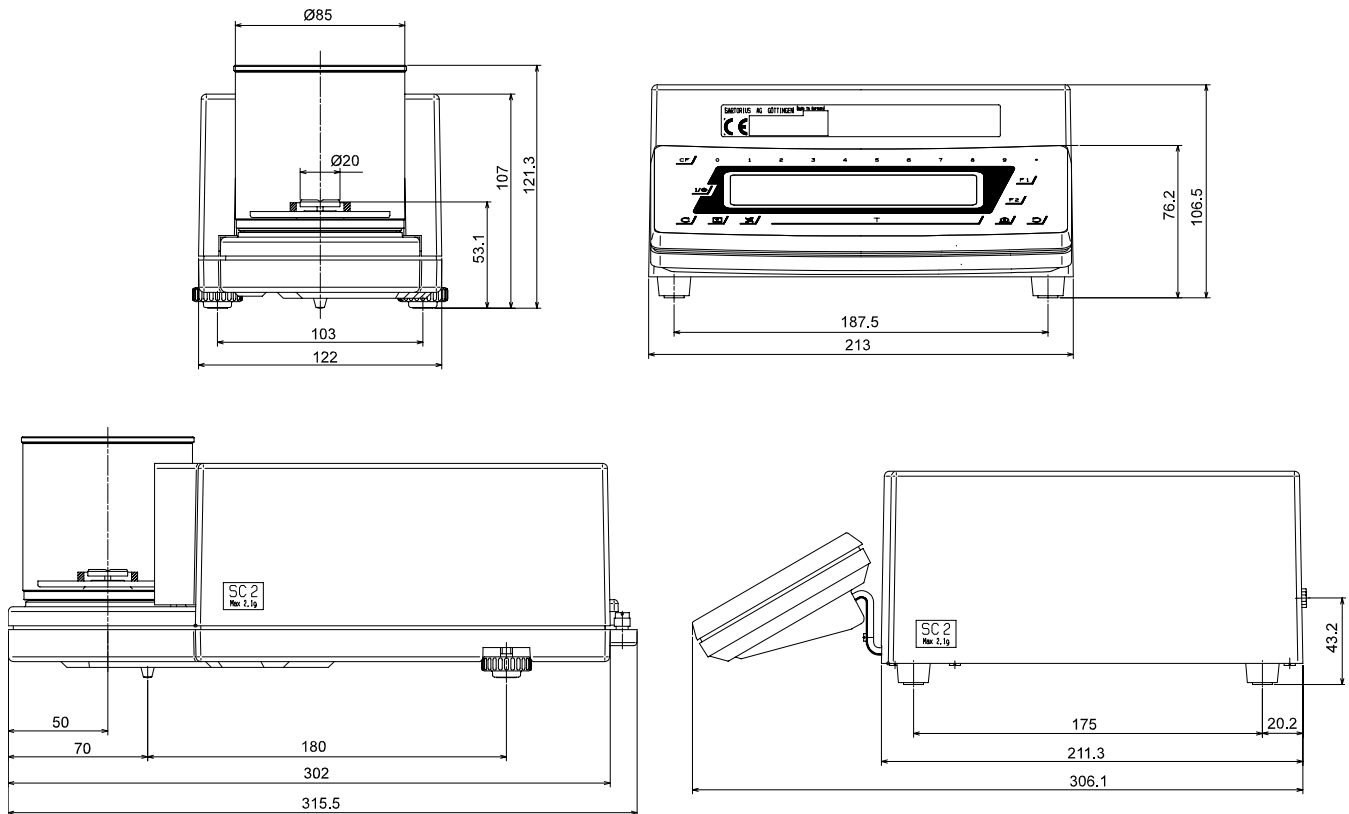
Standard Features:

- SQmin minimum sample weight function for compliance with United States Pharmacopeia
- IsoCAL function, with calibration report memory, ensures continuous accuracy of the balance by performing fully automatic calibration and adjustment.
- RS-232-C Communication port and an additional printer port
- The display and keyboard area are entirely sealed, protecting them against ingress of dust and moisture
- Backlit, high-contrast display for bright and clear readouts under any lighting conditions
- ISO/GLP-compliant recording and printouts of all weighing data, including calibration and adjustment data
- Powerful, work saving application programs including:
Back weighing for up to 50 samples, air buoyancy correction, air density measurement, diameter determination, tare memory, weighing in percent, over/under Checkweighing, counting
- Mass unit conversion by toggling between any 2 weight units

Sartorius Corporation
 131 Heartland Boulevard
 Edgewood New York 11717
 Toll Free: (800) 635-2906
 ☎ (631) 254-4249
 Fax (631) 254-4261

Sartorius Fax on Demand: (800) 551-3774

This Document Number:	10723
Related Documents	#
Industrial Catalog	2000
Laboratory Catalog	1000
Calibration Catalog	80000



All above dimensions are in mm

More Performance Specifications for the ME5-F:

Temperature range	+5 ...+40°C (+41 ...+104°F)
Net weight of the weighing cell	4.2 kg (9.2 lb)
Net weight of the display and control unit	3.5 kg (7.7 lb)
Shipping weight	12.2 kg (26.9 lb)

Key Accessories for the ME5-F:

Data Printer w/time, date and statistics	YDP03-0CE
SartoWedge data transfer software w/cable	72US1010.3
Ionizing blower - eliminates static charges from samples for more stable readings	YIB01-0UR

Sartorius Corporation
 131 Heartland Boulevard
 Edgewood New York 11717
 Toll Free: (800) 635-2906
 ☎ (631) 254-4249
 Fax (631) 254-4261

Sartorius Fax on Demand: (800) 551-3774	
This Document Number:	10723
Related Documents	#
Industrial Catalog	2000
Laboratory Catalog	1000
Calibration Catalog	80000